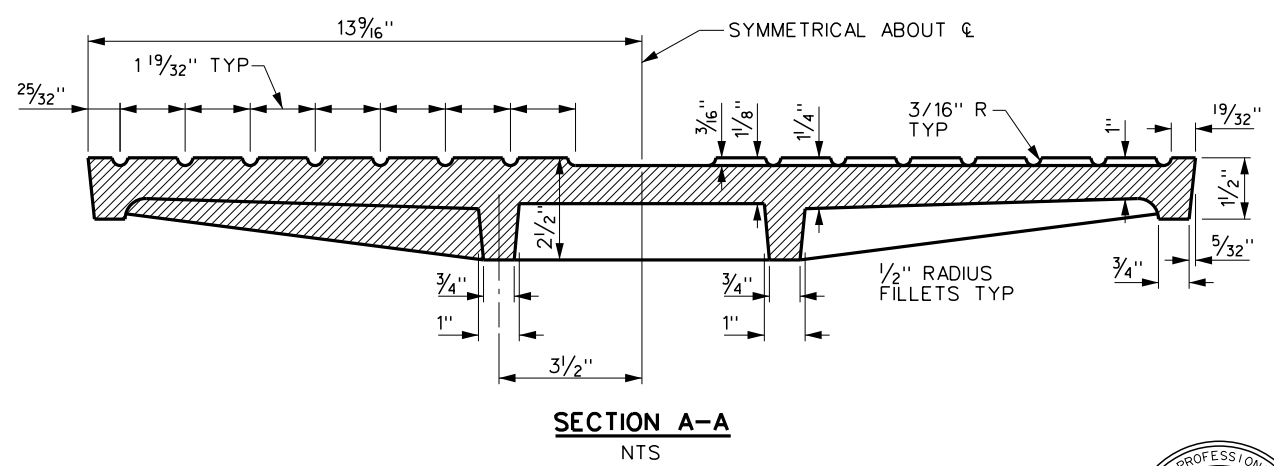


**COVER FOR 24" CLEAR OPENING FRAME**  
NTS

**BOTTOM PLAN OF COVER**  
NTS



**SECTION A-A**  
NTS

**NOTES**

1. THE CAST IRON USED SHALL CONFORM WITH ASTM A-48 CLASS 35B.
2. THE FRAME AND COVER SHALL BE COATED WITH ASPHALTUM OR BITUMINOUS PAINT AFTER TESTING AND INSPECTION.
3. COVERS SHALL BE CAST WITH THE LETTERS "D" AND "RCFC&WCD". THE LETTER "D" SHALL BE APPROXIMATELY 2 1/2" HIGH WITH 1/2" LINE WIDTH AND PLACED IN THE CENTER OF THE COVER. ALL LETTERS SHALL BE FLUSH WITH THE FINISHED SURFACE OF THE COVER.
4. FOUNDRY IDENTIFYING MARK, HEAT AND DATE SHALL BE CAST ON THE BOTTOM OF THE COVER AND ON THE INSIDE OF THE FRAME.
5. IMPORTED COVERS AND FRAMES SHALL HAVE THE COUNTRY OF ORIGIN MARKING IN COMPLIANCE WITH FEDERAL REGULATIONS.
6. WEIGHT OF FRAME SHALL BE 265 POUNDS. WEIGHT OF COVER SHALL BE 175 POUNDS. ACTUAL WEIGHTS SHALL BE WITHIN A RANGE OF 95% TO 110%.
7. THE MANHOLE FRAME AND COVER SHALL BE INSPECTED BY THE ENGINEER PRIOR TO SHIPMENT TO THE JOB SITE. ACCEPTANCE WILL BE INDICATED BY THE AGENCY'S MARK.
8. THE PROOF LOAD FOR TEST METHOD B OF THE STANDARD SPECIFICATION IS 40,700 POUNDS.
9. ALL COVERS SHALL BE PROVIDED WITH SOCKET SET SCREW LOCKING DEVICES. DRILL AND TAP TWO HOLES TO A DEPTH OF ONE INCH AT 90 DEGREES TO PICK HOLE AND INSTALL 3/4 INCH X 3/4 INCH STAINLESS STEEL SOCKET SET SCREWS WITH 3/8 INCH RECESSED HEX HEAD. ALL THREADS SHALL BE N.C.



RIVERSIDE COUNTY FLOOD CONTROL AND WATER CONSERVATION DISTRICT		<b>24-INCH MANHOLE FRAME AND COVER</b>
APPROVED BY: <i>[Signature]</i> GENERAL MANAGER-CHIEF ENGINEER DATE: 09-21-2016	APPROVED BY: <i>[Signature]</i> CHIEF, DESIGN & CONSTRUCTION DATE: 09-21-2016	
R.C.E. No. 59795	R.C.E. No. 44684	STANDARD DRAWING NUMBER MH260 SHEET 1 OF 1